



to the Owner:

In purchasing '*the Simpler Sampler*' you have recognized that labor and energy savings have a direct effect on an efficient harvest system. '*the Simpler Sampler*' was designed for many years of efficient, trouble-free operation. The operator of this machine, however, has a large influence on its satisfactory operation. With experimentation, the operator can easily determine the best feed-rate, beater speed, and air setting, for different conditions.

Access to the beater is facilitated by removing the thumbscrews on the faceplate and removing faceplate.

'the Simpler Sampler' requires no regular maintenance. Store in a clean, dry place.

Garth Brehon P.Eng., LL.B.
President
Brehon Agrisystems Inc.

GUARANTEE

The manufacturer of this product guarantees it to be free from defect in material or workmanship for a period of 2 years.



OPERATING INSTRUCTIONS

the SIMPLER SAMPLER Portable Combine

Please Read Carefully Before Operating!

CAUTION: Keep face clear of feed inlet at all times. High speed particles may cause injury. Avoid sticking fingers inside feed inlet.

Operating Procedure:

1. Connect Simpler Sampler to 12 volt dc power supply.
2. Select HI or LO operating speed on switch.
3. Select desired air flow.
If too much chaff is collected, push handle down slightly to increase air flow.
4. Feed handfuls of grain (roughly 15-20 heads) into feed inlet heads first to thresh, then discard straw. (see Note A)
5. Repeat Step 4 until sufficient amount of grain has been collected.
6. Pour clean grain into moisture tester.
7. For cleaning:
 - a) switch to HI speed
 - b) open air flow adjustment (push down)
 - c) tip machine slightly so that any chaff remaining in feed inlet will fall into beater.
8. Switch machine OFF and disconnect from power supply.

Note A: Best results are obtained if the motor is not slowed significantly when threshing.

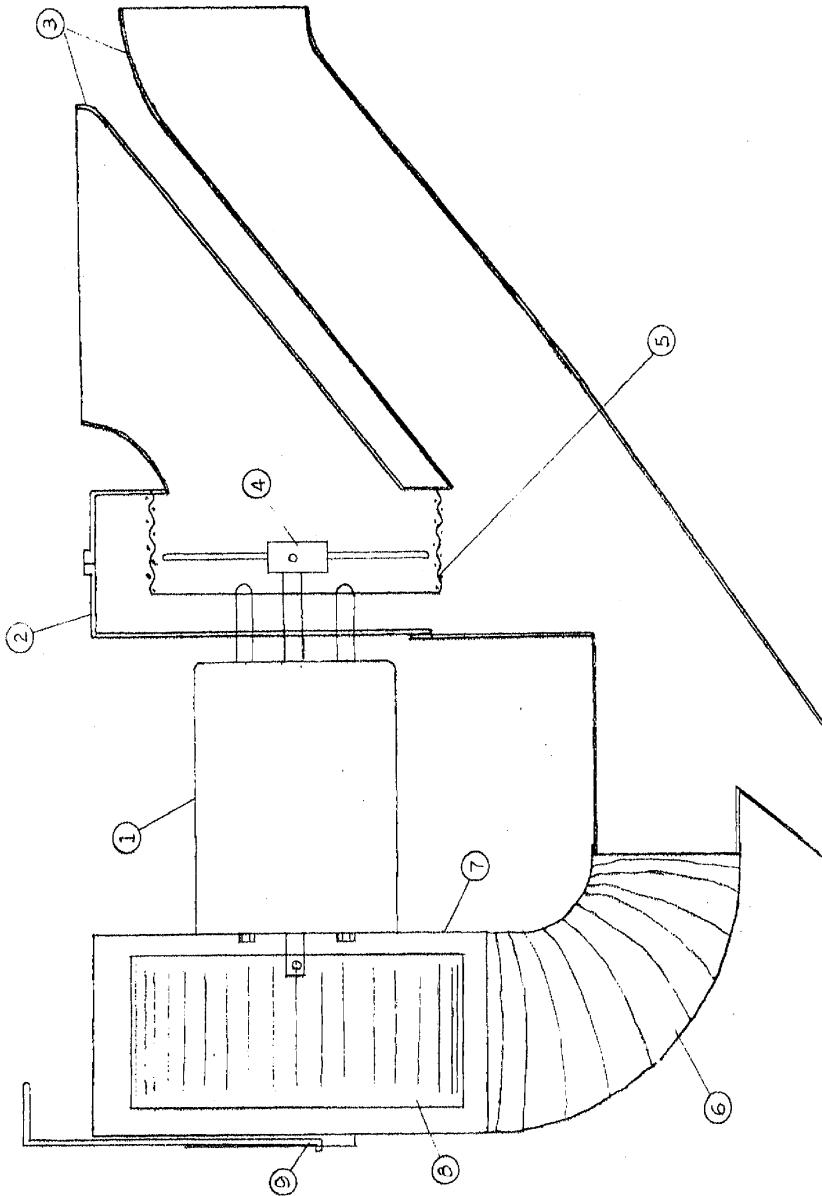
Note B: The beater assembly is installed with a cutting edge trailing. In some conditions in bearded crops, threshing may be enhanced by turning beater assembly over so cutting edge is leading. Note direction of beater rotation.

102-2750
Faithfull Avenue
Saskatoon, SK.
Canada S7K 6M6
Ph/Fax: (306) 933-2655
Web: brehonag.com



BREHON AGRISYSTEMS INC.

GATE
COMMAND
the **S**impler
Sampler





PARTS LIST

the SIMPLER SAMPLER Portable Combine

<u>Reference</u>	<u>Description</u>
1	12 volt dc Motor
2	Threshing Chamber Backplate
3	Faceplate & Air Column Assembly
4	Beater Assembly
5	Concave
6	Flexible Duct
7	Blower Housing
8	Blower Wheel
9	Air Control Slide Assembly
	Lid Assembly
	SPDT Switch
	Motor Mount Bracket
	Electrical Lead Wire
	Metal Case & Drawer